

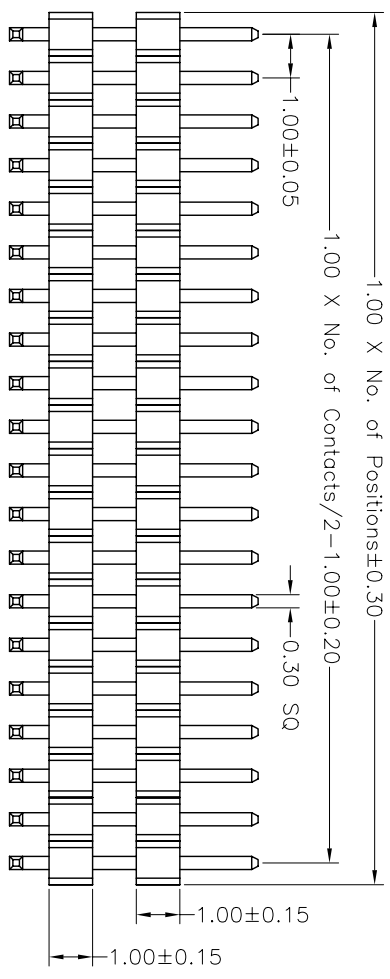
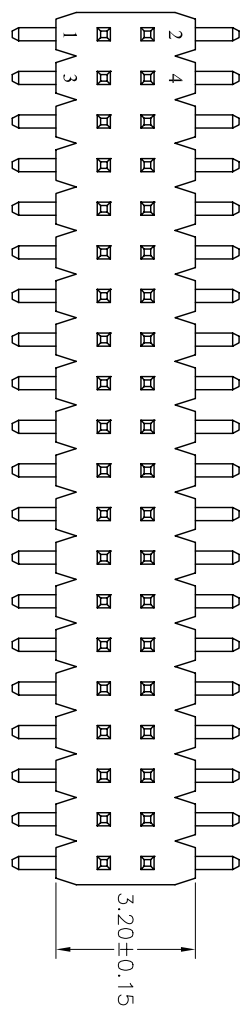
REVISION DATA			
ITEM	DESCRIPTION	DATE	REMARK
A0		2006/11/27	

1.00*1.00mm (0.039"*0.039") SPACER SINGLE, DUAL ROW, SMT
H=1.0mm

SPECIFICATIONS

Current Rating: 0.75AMP
Withstanding Voltage: 500V AC/minute
Contact Resistance: 20mΩ Max
Insulation Resistance: 1000MΩ Min
Operation Temperature: -40°C to +105°C

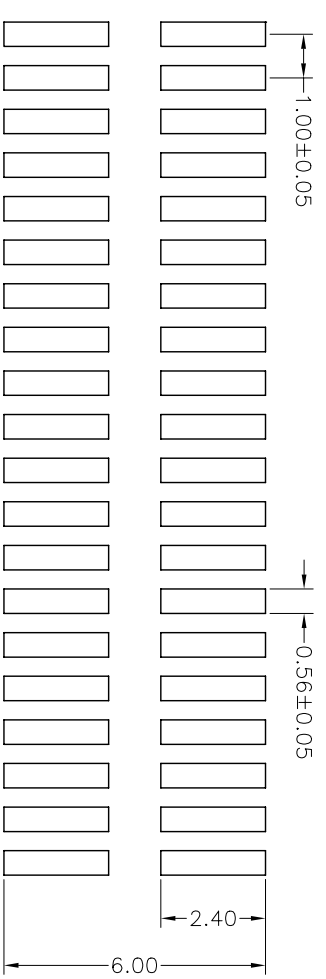
Contact Material: Brass
Contact plating: Au or Sn Over Ni
Insulator Material: Polyester (UL94V-0)
Standard: Pa6T+30%G.F



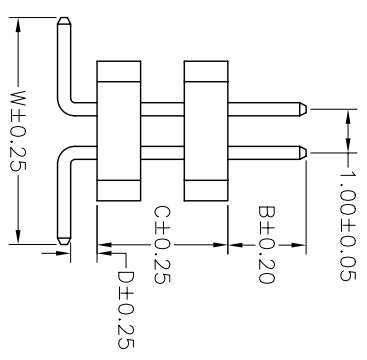
1510-22 XX XX M XXX 01

Ordering Information

No. of Pins per Row: 01-50
Contact Plating: G0=Gold Flash, G1=3u"Gold, G2=5u"Gold, G3=10u"Gold, G4=15u"Gold, G5=30u"Gold
Contact length: 050-120
S0=Gold Flash/Tin, S1=3u"Gold/Tin, S2=5u"Gold/Tin, S3=10u"Gold/Tin, S4=15u"Gold/Tin, S5=30u"Gold/Tin, SN=Tin



Recommended PCB Board Layout



Dimension antitheses list				
ITEM	W	B	C	D
Standard 1	5.20	1.80		0
Alternate				

公差 (TOLERANCE)		绘图 (DRAWN)		投影 (PROJECT)		料号 (PART NO)		发行编号 (Issue No)	
X. ± 5°	X.	韦翔丹		单位 (UNIT)	MM	1510-22XXXXXXXXXX01	1	1510-22XXXXXXXXXX01	1/1
.X ± 2°	.X ± 0.50	校对 (CHECKED)		比例 (SCALE)	6:1				
.XX ± 1°	.XX ± 0.25	核准 (APPROVE)		版本 (EDITION)	A0				
.XXX ± 0.5°	.XXX ± 0.12			日期 (DATE)	06-11-27				
				日期 (DATE)	06-11-27	品名 (NAME)	1.00排针 双排双塑 SMT H=1.00		

ZYSZ INDUSTRY CO., LTD