

REVISION DATA		
ITEM	DESCRIPTION	DATE
A0		2006/11/27

1.00*1.00mm (0.039"*0.039") SPACER SINGLE, DUAL ROW, SMT WITH LOCATING PEG H=1.0mm

SPECIFICATIONS

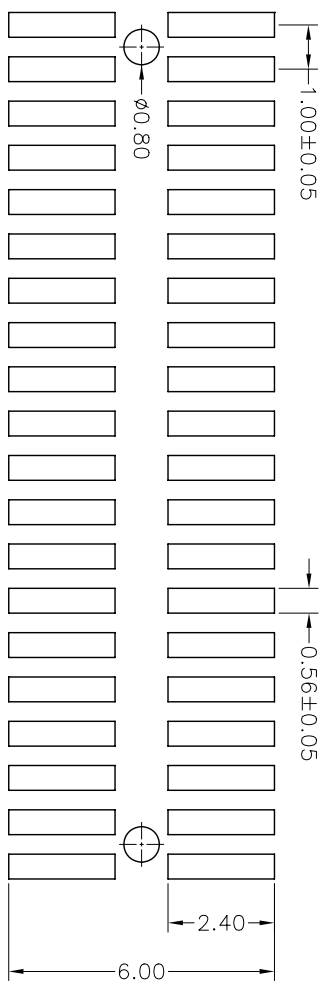
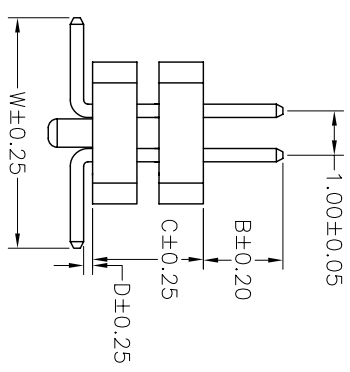
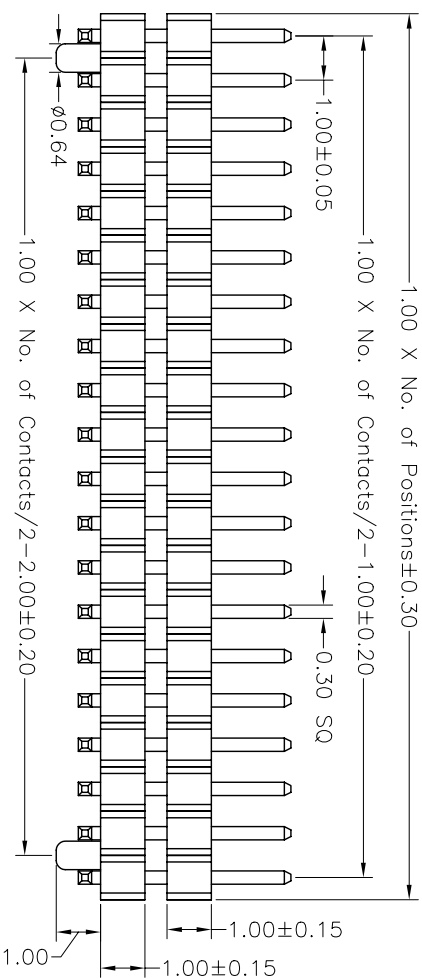
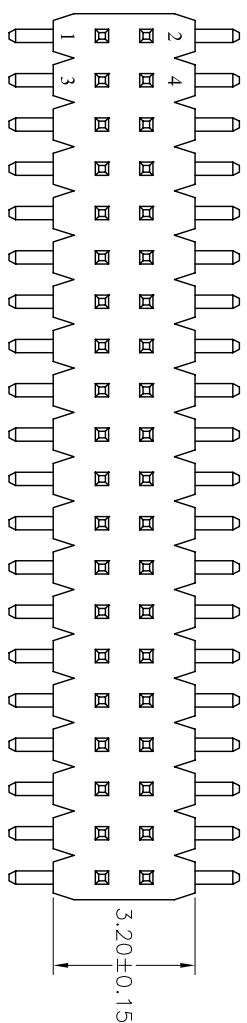
Current Rating: 0.75AMP
 Withstanding Voltage: 500V AC/minute
 Contact Resistance: 20mΩ Max
 Insulation Resistance: 1000MΩ Min
 Operation Temperature: -40°C to +105°C

Contact Material: Brass
 Contact plating: Au or Sn Over Ni
 Insulator Material: Polyester (UL94V-0)
 Standard: PA6T+30%G.F

Ordering Information

1510-2 2 XX XX M XXX 02

No. of Pins per Row: 01-40
 Contact Plating: G0=Gold Flash, G1=3u"Gold, G2=5u"Gold, G3=10u"Gold, G4=15u"Gold, G5=30u"Gold
 Contact length: 050-120
 S1=3u"Gold/Tin, S2=5u"Gold/Tin, S3=10u"Gold/Tin, S4=15u"Gold/Tin, S5=30u"Gold/Tin, SN=Tin



Recommended PCB Board Layout

Dimension antitheses list				
ITEM	W	B	C	D
Standard 1	5.20	1.80		0
Alternate				

公差 (TOLERANCE)		绘图 (DRAWN)		投影 (PROJECT)		料号 (PART NO)		发行编号 (Issue No)	
X. ± 5°	X.	韦翔丹	核校 (CHECKED)	单位 (UNIT)	MM	图号 (DRAW NO)	1510-22XXXXXX02	页次 (PAGE)	1/1
.X ± 2°	.X ± 0.50		核准 (APPROVE)	比例 (SCALE)	6:1	品名 (NAME)	1.00排针 双排双塑 SMT H=1.00 带内柱		
.XX ± 1°	.XX ± 0.25			版本 (EDITION)	A0				
.XXX ± 0.5°	.XXX ± 0.12			日期 (DATE)	06-11-27				

ZYSZ INDUSTRY CO., LTD