

REVISION DATA

ITEM	DESCRIPTION	DATE	REMARK
A0		2006/11/27	

1.00*1.00mm (0.039" * 0.039") PIN HEADER, DUAL ROW, SMT H=1.5mm

SPECIFICATIONS

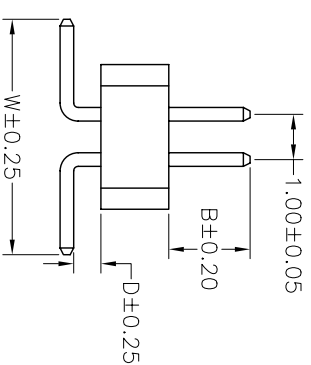
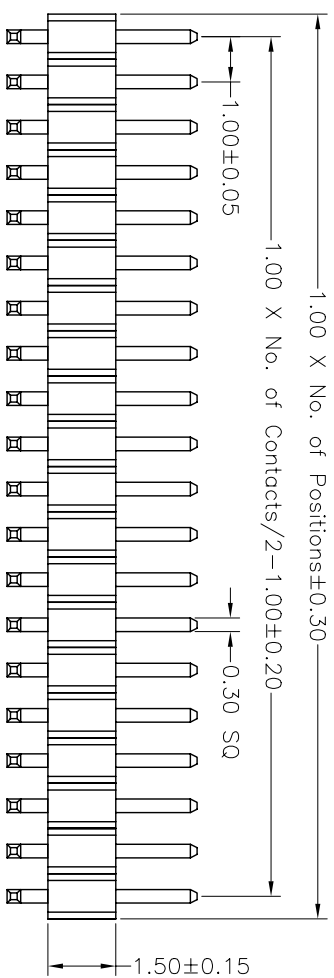
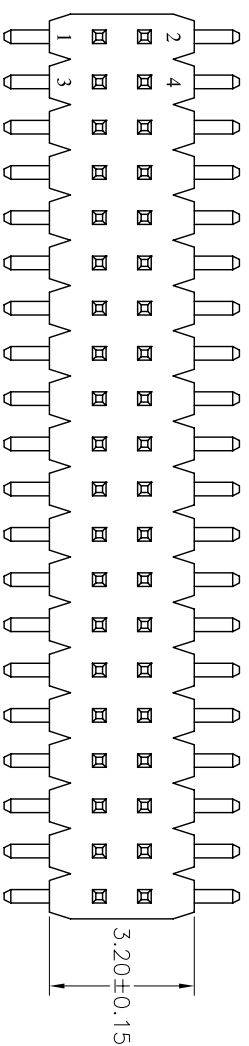
Current Rating: 0.75AMP
 Withstanding Voltage: 500V AC/minute
 Contact Resistance: 20mΩ Max
 Insulation Resistance: 1000MΩ Min
 Operation Temperature: -40°C to +105°C

Contact Material: Brass

Contact plating: Au or Sn Over Ni

Insulator Material: Black Polyester (UL94V-0)

Standard: PA6T/LCP+30%G.F



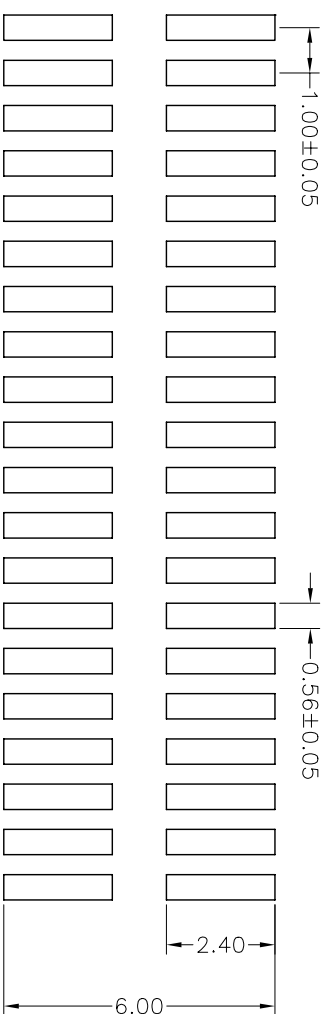
Ordering Information

1515-12 XX XX M XXX 01

No. of Pins per Row: 01~50

Contact Plating
 G0=Gold Flash
 G1=3u"Gold
 G2=5u"Gold
 G3=10u"Gold
 G4=15u"Gold
 G5=30u"Gold
 S0=Gold Flash/Tin
 S1=3u"Gold/Tin
 S2=5u"Gold/Tin
 S3=10u"Gold/Tin
 S4=15u"Gold/Tin
 S5=30u"Gold/Tin
 SN=Tin

Contact length
 Standard=5.5mm



Recommended PCB Board Layout

Dimension antitheses list			
ITEM	W	B	D
Standard 1	5.20	1.80	0
Alternate			

公差 (TOLERANCE)

X.	± 5°	X.	
.X	± 2°	.X	± 0.50
.XX	± 1°	.XX	± 0.25
.XXX	± 0.5°	.XXX	± 0.12

绘图 (DRAWN)

韦翔丹

投影 (PROJECT)

MM

料号 (PART NO)

1515-12XXXXXX01

发行编号 (Issue No)

1/1

校对 (CHECKED)

单位 (UNIT)

比例 (SCALE)

图号 (DRAW NO)

6:1

版本 (EDITION)

A0

核准 (APPROVE)

日期 (DATE)

06-11-27

品名 (NAME)

1.00排针 双排 SMT H=1.50

ZYSZ INDUSTRY CO., LTD