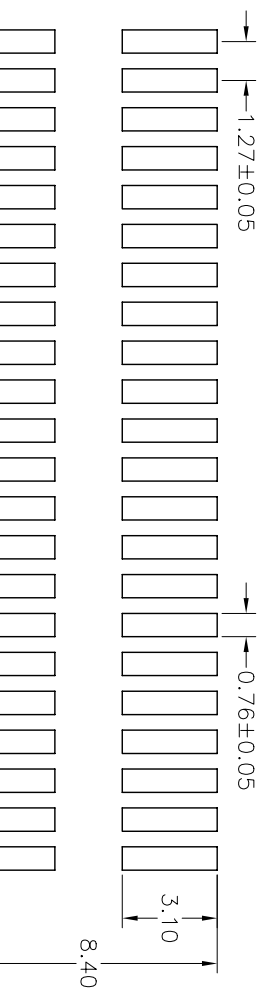
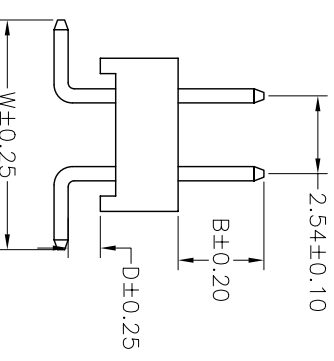
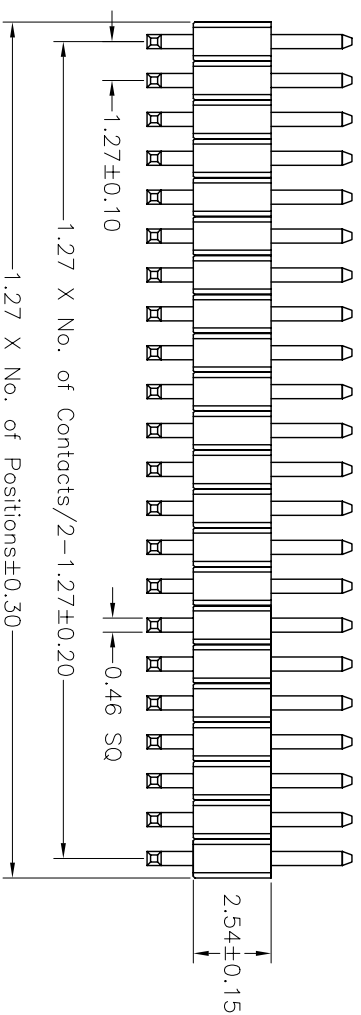
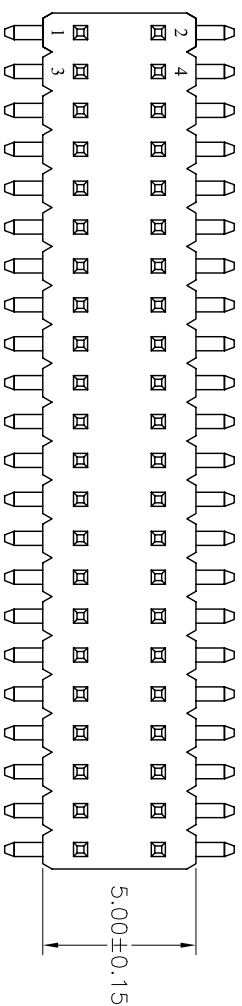


1. 27*2. 54mm (0. 050"*0. 100") PIN HEADER, DUAL ROW, SMT H=2. 54mm

SPECIFICATIONS

- Current Rating: 1AMP
- Withstanding Voltage: 500V AC/minute
- Contact Resistance: 20mΩ Max
- Insulation Resistance: 1000MΩ Min
- Operation Temperature: -40℃to+105℃
- Contact Material: Brass
- Contact plating: Au or Sn Over Ni
- Insulator Material: Black Polyester (UL94V-0)
- Standard: PA6T+30%G. F



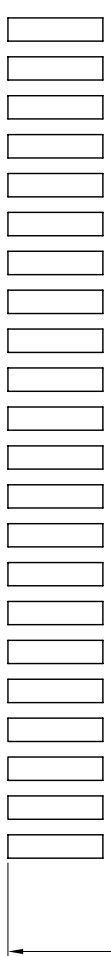
Dimension antitheses list			
ITEM	B	D	W
Standard 1	2.80	0	7.50
Alternate			

Ordering Information

1425-1 2 XX XX M XXX 01

- No. of Pins per Row: 01-40
- Contact Plating: G0=Gold Flash, G1=3u"Gold, G2=5u"Gold, G3=10u"Gold, G4=15u"Gold, G5=30u"Gold, S0=Gold Flash/Tin, S1=5u"Gold/Tin, S2=5u"Gold/Tin, S3=10u"Gold/Tin, S4=15u"Gold/Tin, S5=30u"Gold/Tin, SN=Tin
- Contact length Standard=7.8mm

Recommended PCB Board Layout



公差 (TOLERANCE)		绘图 (DRAWN)		投影 (PROJECT)		料号 (PART NO)		发行编号 (Issue No)	
		审核 (APPROVE)		MM		(DRAW NO)		(PAGE)	
X. ± 5°	X.	韦翔丹		单位 (UNIT)	4:1	1425-12XXXXXX01		1/1	
.X ± 2°	.X ± 0.38	比例 (SCALE)		MM	A0				
.XX ± 1°	.XX ± 0.25	版本 (EDITION)		MM	A0				
.XXX ± 0.5°	.XXX ± 0.12	日期 (DATE)		MM	A0				
		日期 (DATE)		MM	A0				
		品名 (NAME)		1. 27*2. 54排针 双排 SMT H=2. 54mm					

ZYSZ INDUSTRY CO., LTD

REVISION DATA		
ITEM	DESCRIPTION	DATE
A0		2006/11/30