

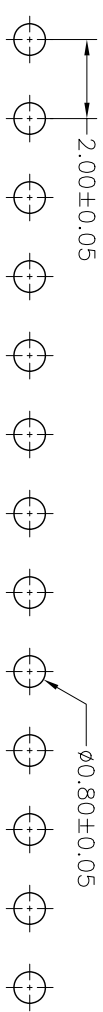
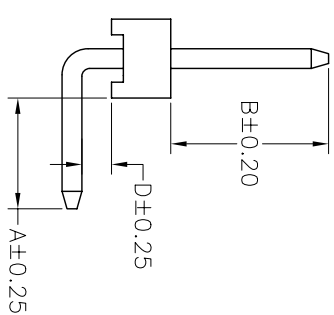
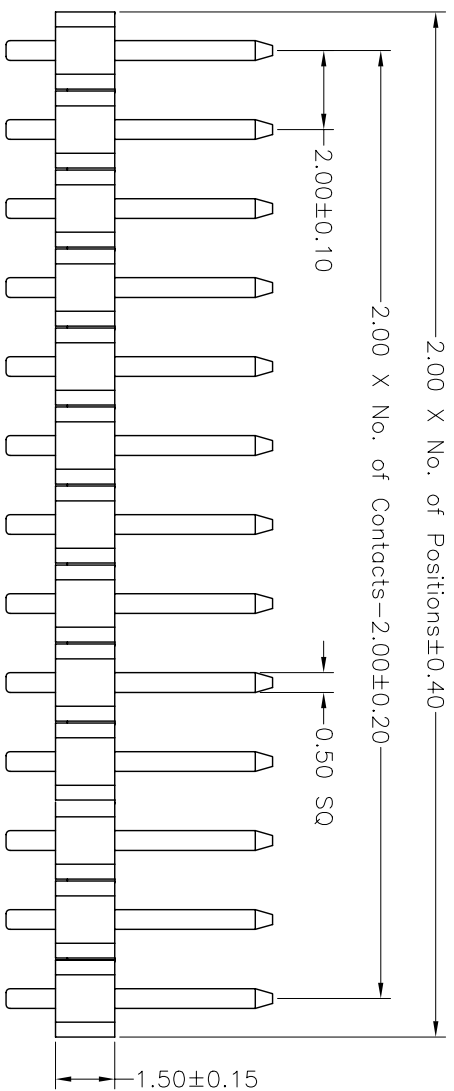
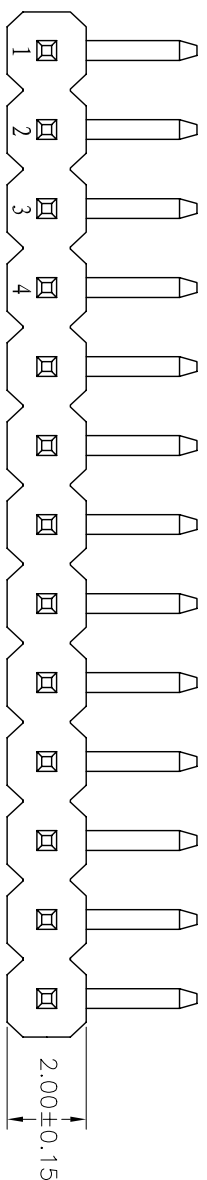
REVISION DATA			
ITEM	DESCRIPTION	DATE	REMARK
A0		2006/11/30	

## 2. 00mm (0. 0787") PIN HEADER, SINGLE ROW, RIGHT ANGLE H=1. 5mm

### SPECIFICATIONS

Current Rating: 1. 5AMP  
 Withstanding Voltage: 500V AC/minute  
 Contact Resistance: 20mΩ Max  
 Insulation Resistance: 1000MΩ Min  
 Operation Temperature: -40°C to +105°C

Contact Material: Brass  
 Contact plating: Au or Sn Over Ni  
 Insulator Material: Black Polyester (UL94V-0)  
 Standard: PBT+30%G.F



Recommended PCB Board Hole Layout

Dimension antitheses list			
ITEM	A	B	D
Standard	1. 280	4. 00	0. 75
Alternate			

### Ordering Information

1215-1 1 XX XX R XXX 01

No. of Pins per Row: 01-40  
 Contact Plating: G0=Gold Flash, G1=3u"Gold, G2=5u"Gold, G3=10u"Gold, G4=15u"Gold, G5=30u"Gold  
 Contact length Standard=10.0mm  
 Contact Flash: S0=Gold Flash/Tin, S1=3u"Gold/Tin, S2=5u"Gold/Tin, S3=10u"Gold/Tin, S4=15u"Gold/Tin, S5=30u"Gold/Tin, SN=Tin

公差 (TOLERANCE)		绘图 (DRAWN)		审核 (APPROVE)		投影 (PROJECT)		料号 (PART NO)		发行编号 (Issue No)	
X. ± 5°	X.	韦翔丹		核 准		MM		1215-11XXXXRXXX01		1/1	
. X ± 2°	. X ± 0. 38	校对 (CHECKED)		日期 (DATE)		5: 1				2. 00排针 单排 90度 H=1. 50 凹面弯	
. XX ± 1°	. XX ± 0. 25	核 准 (APPROVE)		日期 (DATE)		A0					
. XXX ± 0. 5°	. XXX ± 0. 12			06-11-30							

# ZYSZ INDUSTRY CO., LTD