

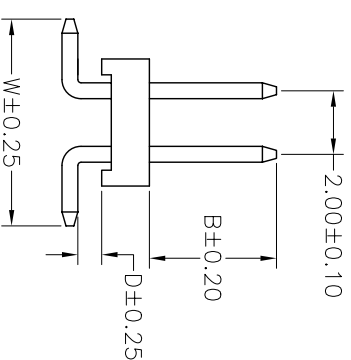
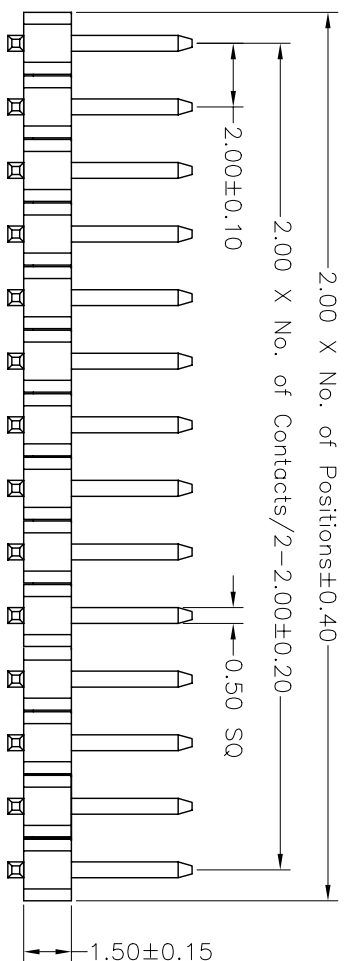
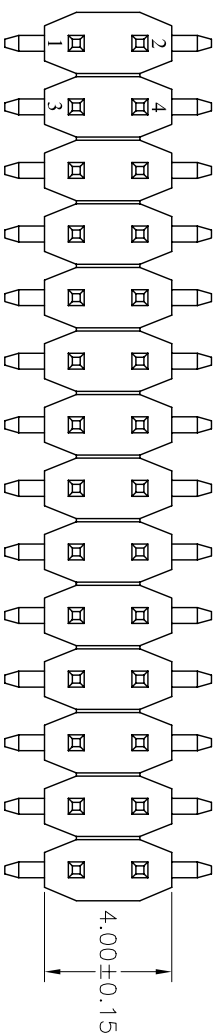
REVISION DATA			
ITEM	DESCRIPTION	DATE	REMARK
AO		2006/12/01	

2.00*2.00mm (0.0787"*0.0787") PIN HEADER, DUAL ROW, SMT H=1.5mm

SPECIFICATIONS

Current Rating: 1.5AMP
 Withstanding Voltage: 500V AC/minute
 Contact Resistance: 20mΩ Max
 Insulation Resistance: 1000MΩ Min
 Operation Temperature: -40°C to +105°C

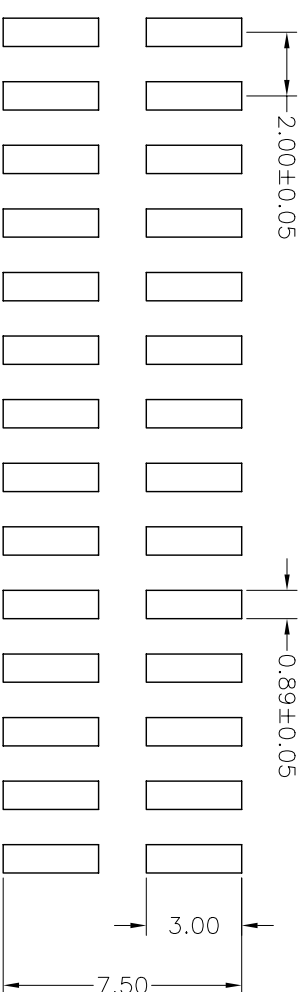
Contact Material: Brass
 Contact plating: Au or Sn Over Ni
 Insulator Material: Black Polyester (UL94V-0)
 Standard: PA6T+30%G.F



Ordering Information

1215-1 2 XX XX M XXX 01

No. of Pins per Row: 01~40
 Contact Plating
 G0=Gold Flash Standard=7.8mm
 G1=3µ"Gold
 G2=5µ"Gold
 G3=10µ"Gold
 G4=15µ"Gold
 G5=30µ"Gold
 S0=Gold Flash/Tin
 S1=3µ"Gold/Tin
 S2=5µ"Gold/Tin
 S3=10µ"Gold/Tin
 S4=15µ"Gold/Tin
 S5=30µ"Gold/Tin
 SN=Tin



Dimension antitheses list			
ITEM	B	D	W
Standard 1	4.00	0	6.50
Alternate			

Recommended PCB Board Layout

公差 (TOLERANCE)		绘图 (DRAWN)		投影 (PROJECT)		料号 (PART NO)		发行编号 (Issue No)	
X. ± 5°	X.	韦翔丹		MM	4:1	1215-12XXXXXXMXXX01			
.X ± 2°	.X ± 0.38	校对 (CHECKED)		比例 (SCALE)	4:1				
.XX ± 1°	.XX ± 0.25	核准 (APPROVE)		版本 (EDITION)	A0				
.XXX ± 0.5°	.XXX ± 0.12			日期 (DATE)	06-12-01	品名 (NAME)	2.00排针 双排 SMT H=1.50		
									1/1

ZYSZ INDUSTRY CO., LTD