

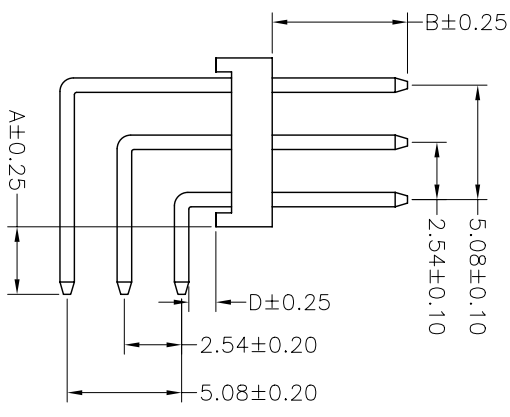
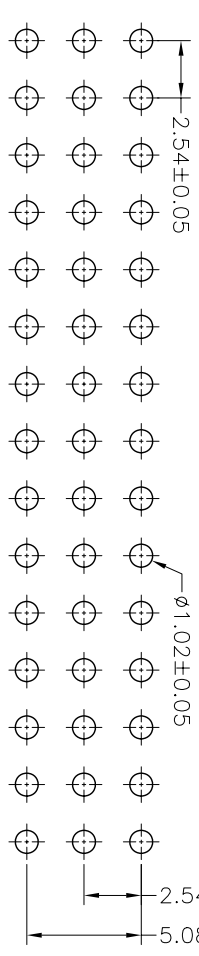
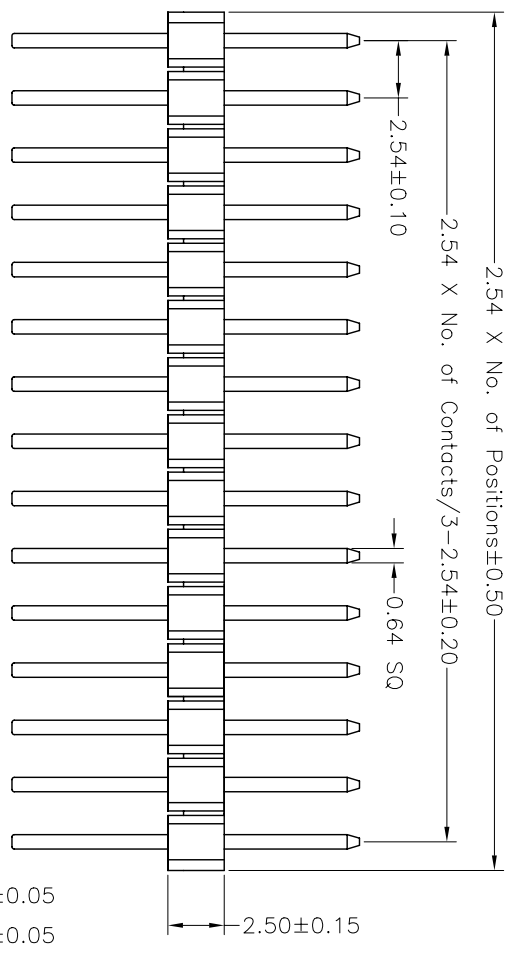
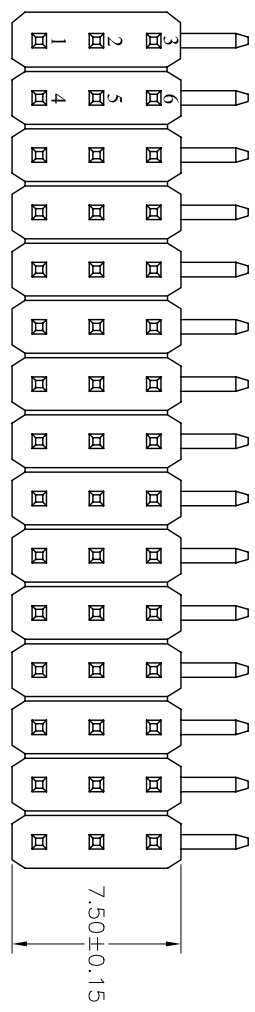
REVISION DATA			
ITEM	DESCRIPTION	DATE	REMARK
A0		2006/12/05	

2.54*2.54mm (0.100"*0.100") PIN HEADER, TRIPLE ROW RIGHT ANGLE H=2.5mm

SPECIFICATIONS

Current Rating: 3AMP
 Withstanding Voltage: 1000V AC/minute
 Contact Resistance: 20mΩ Max
 Insulation Resistance: 1000MΩ Min
 Operation Temperature: -40°C to +105°C

Contact Material: Brass
 Contact plating: Au or Sn Over Ni
 Insulator Material: Black Polyester (UL94V-0)
 Standard: PBT+30%G.F



ITEM	A	B	D
Standard	3.00	6.00	1.20
Alternate			

Ordering Information

1125-13 XX XX R XXX 01
 No. of Pins per Row: 01-40
 Contact Plating
 G0=Gold Flash
 G1=3u"Gold
 G2=5u"Gold
 G3=10u"Gold
 G4=15u"Gold
 G5=30u"Gold
 S0=Gold Flash/Tin
 S1=3u"Gold/Tin
 S2=5u"Gold/Tin
 S3=10u"Gold/Tin
 S4=15u"Gold/Tin
 S5=30u"Gold/Tin
 SN=Tin

Recommended PCB Board Hole Layout

公差 (TOLERANCE)		绘图 (DRAWN)		投影 (PROJECT)		料号 (PART NO)		发行编号 (Issue No)	
X.	± 5°	X.	韦翔丹	MM	4:1	1125-13XXXXXXX01	1/1		
.X	± 2°	.X	校对 (CHECKED)	MM	4:1				
.XX	± 1°	.XX	核准 (APPROVE)	A0					
.XXX	± 0.5°	.XXX		06-12-05					

ZYSZ INDUSTRY CO., LTD

2.54排针 三排 90度 H=2.50