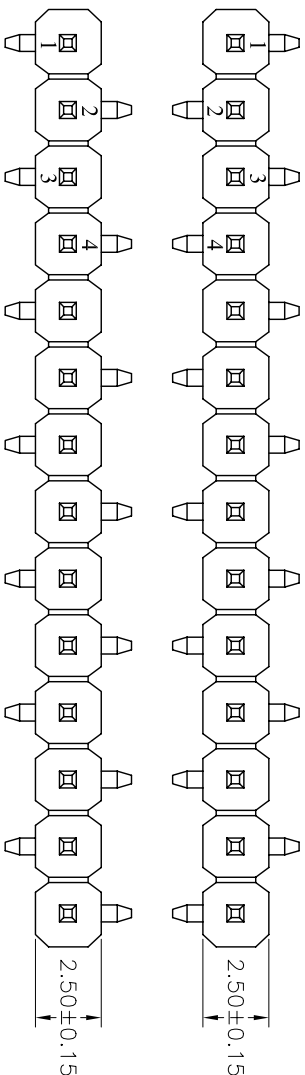


## 2. 54mm (0. 100") PIN HEADER, SINGLE ROW, DOUBLE PLASTIC, SMT H=2. 5mm

REVISION DATA			
ITEM	DESCRIPTION	DATE	REMARK
A0		2006/12/05	

### SPECIFICATIONS

Current Rating: 3AMP  
 Withstanding Voltage: 1000V AC/minute  
 Contact Resistance: 20mΩ Max  
 Insulation Resistance: 1000MΩ Min  
 Operation Temperature: -40°C to +105°C  
 Contact Material: Brass  
 Contact plating: Au or Sn Over Ni  
 Insulator Material: Black Polyester (UL94V-0)  
 Standard: PA6T+30%G.F

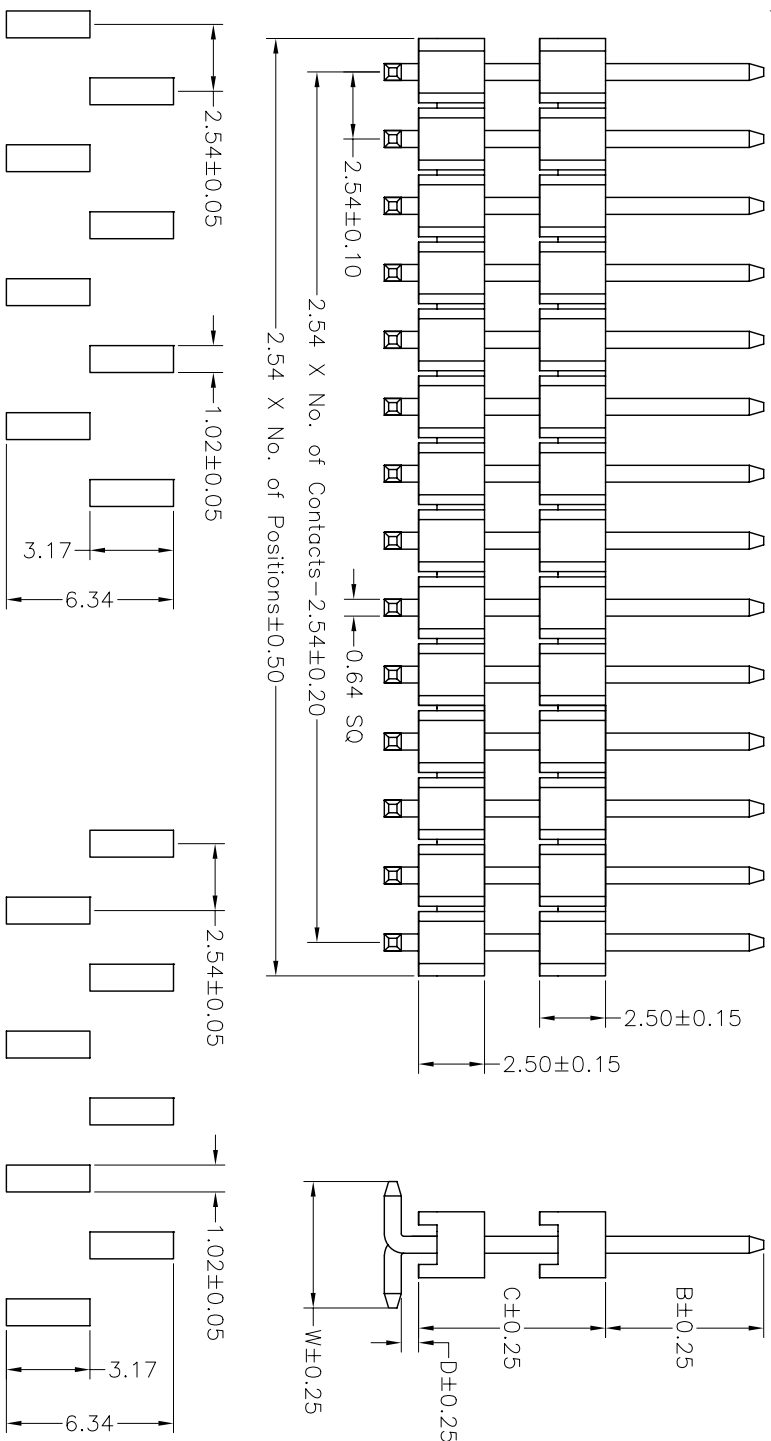


Dimension antitheses list				
ITEM	B	C	D	W
Standard	6.00		0.60	4.80
Alternate				

### Ordering Information

1125-2 1 XX XX M XXX XX

No. of Pins per Row: 01-40  
 Contact Plating: G0=Gold Flash, G1=3μ"Gold, G2=5μ"Gold, G3=10μ"Gold, G4=15μ"Gold, G5=30μ"Gold, S0=Gold Flash/Tin, S1=3μ"Gold/Tin, S2=5μ"Gold/Tin, S3=10μ"Gold/Tin, S4=15μ"Gold/Tin, S5=30μ"Gold/Tin, SN=Tin  
 Contact Length



Recommended PCB Board Hole Layout

公差 (TOLERANCE)	
X. ± 3°	X.
.X ± 2°	.X ± 0.30
.XX ± 1°	.XX ± 0.20
.XXX ± 0.5°	.XXX ± 0.10

绘图 (DRAWN)	审核 (CHECKED)	批准 (APPROVE)
韦翔丹		

投影 (PROJECT)	单位 (UNIT)	比例 (SCALE)	版本 (EDITION)	日期 (DATE)
第一角	MM	3.5:1	A0	06-12-05

料号 (PART NO)	图号 (DRAW NO)	品名 (NAME)
1125-21XXXXXXXXXX		2.54排针 单排双塑 SMT H=2.50

发行编号 (Issue No)	页次 (PAGE)
1/1	1/1

# ZYSZ INDUSTRY CO., LTD