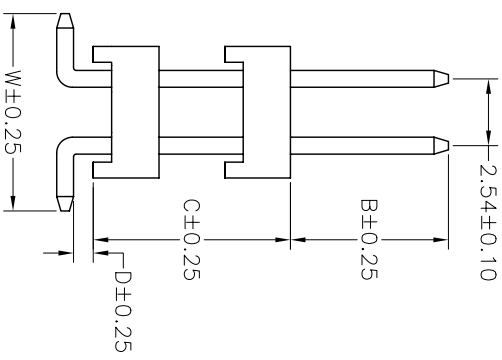
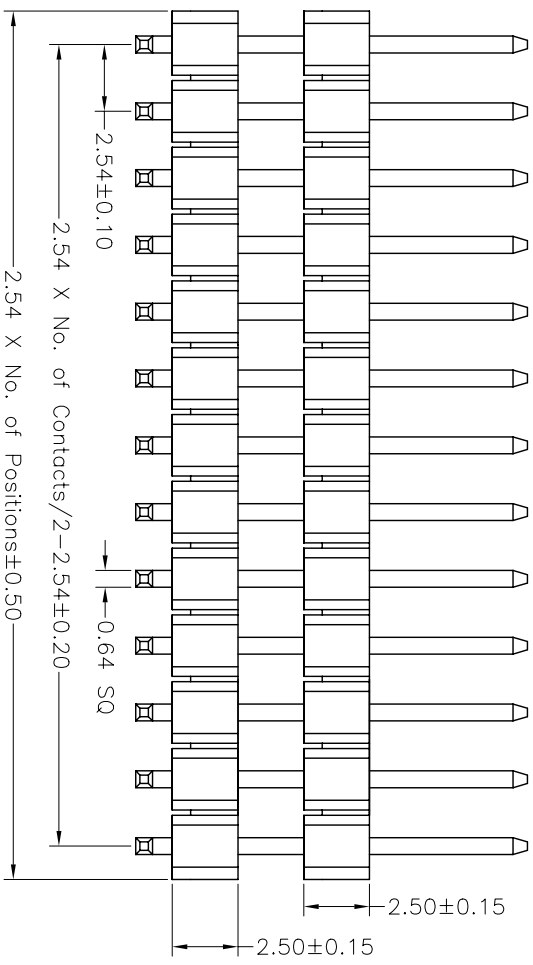
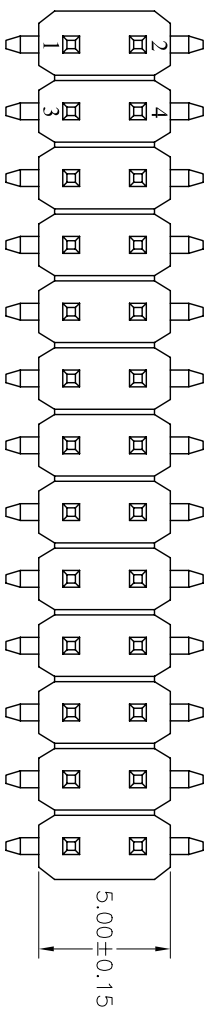


2.54*2.54mm (0.100"*0.100") PIN HEADER, DUAL ROW, DOUBLE PLASTIC

SMT H=2.5mm

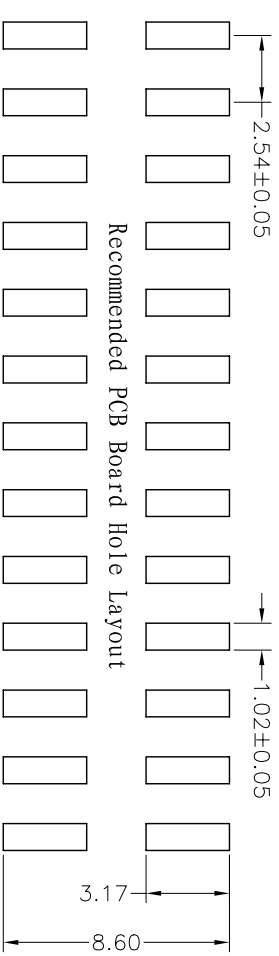
SPECIFICATIONS

Current Rating: 3AMP
 Withstanding Voltage: 1000V AC/minute
 Contact Resistance: 20mΩ Max
 Insulation Resistance: 1000MΩ Min
 Operation Temperature: -40°C to +105°C
 Contact Material: Brass
 Contact plating: Au or Sn Over Ni
 Insulator Material: Black Polyester (UL94V-0)
 Standard: PA6T+30%G.F



Ordering Information

1125-22 XX XX M XXX 01
 No. of Pins per Row: 01-40
 Contact Plating: GI=3μ"Gold, G2=5μ"Gold, G3=10μ"Gold, G4=15μ"Gold, G5=30μ"Gold
 S0=Gold Flash/Tin, S1=3μ"Gold/Tin, S2=5μ"Gold/Tin, S3=10μ"Gold/Tin, S4=15μ"Gold/Tin, S5=30μ"Gold/Tin, SN=Tin



Dimension antitheses list

ITEM	B	C	D	W
Standard 1	6.00	0.60	7.50	
Alternate				

REVISION DATA		
ITEM	DESCRIPTION	DATE
A0		2006/12/05

ZYSZ INDUSTRY CO., LTD

公差 (TOLERANCE)		绘图 (DRAWN)		韦翔丹		投影 (PROJECT)		料号 (PART NO)		发行编号 (Issue No)	
X. ± 3°	X.	校对 (CHECKED)		核准 (APPROVE)		单位 (UNIT)	MM	比例 (SCALE)	3.5:1	图号 (DRAW NO)	页次 (PAGE)
.X ± 2°	.X ± 0.30					日期 (DATE)	06-12-05	版本 (EDITION)	A0	品名 (NAME)	2.54排针 双排双塑 SMT H=2.50
.XX ± 1°	.XX ± 0.20										1/1
.XXX ± 0.5°	.XXX ± 0.10										