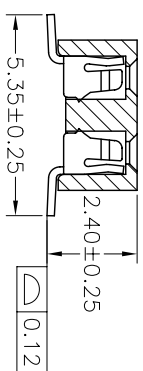
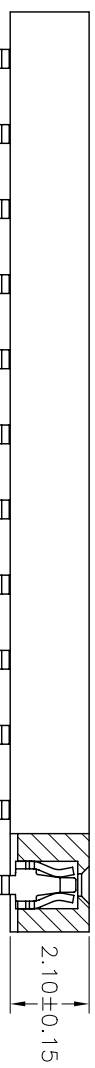
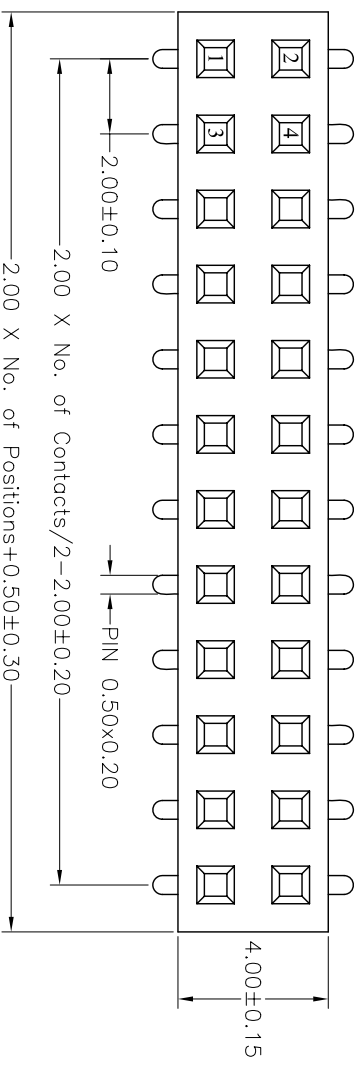


REVISION DATA			
ITEM	DESCRIPTION	DATE	REMARK
A0		2006/11/16	

2.00*2.00mm (0.0787"*0.0787") FEMALE HEADER, DUAL ROW, SMT H=2.1mm

SPECIFICATIONS

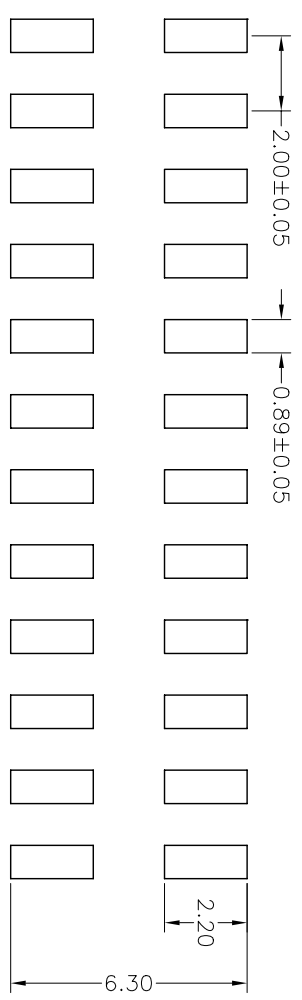
Current Rating: 1.5AMP
 Contact Resistance: 20mΩ Max
 Insulation Resistance: 1000MΩ Min
 Withstand Voltage: 500V AC/minute
 Operation Temperature: -40°C to +105°C
 Insertion Depth:
 Top Entry=(1.40~2.10mm).055"~.083"
 Standard: (1.60mm).063"
 Contact Material: Phosphor Bronze
 Contact plating: Au or Sn Over Ni
 Insulator Material: Polyester (UL94V-0)
 Standard: PA6T+30%GF



Ordering Information

2221-2 XX M XX X UN01

- | | | |
|----------------------------|--|----------------------------------|
| No. of Pins per Row: 02-40 | Contact Plating: G0=Gold Flash, G1=3u"Gold, G2=5u"Gold, G3=10u"Gold, G4=15u"Gold, G5=30u"Gold | Insulator Material: C=PA6T, D=CP |
| | S0=Gold Flash/Tin, S1=3u"Gold/Tin, S2=5u"Gold/Tin, S3=10u"Gold/Tin, S4=15u"Gold/Tin, S5=30u"Gold/Tin | |



Recommended PCB Board Layout

公差 (TOLERANCE)		绘图 (DRAWN)		审核 (APPROVE)		投影 (PROJECT)		料号 (PART NO)		发行编号 (Issue No)	
X.	± 5°	X.				单位 (UNIT)	MM	图号 (DRAW NO)	2221-2XXMXXDUN01	页次 (PAGE)	
.X	± 2°	.X	± 0.38	校对 (CHECKED)		比例 (SCALE)	5:1				
.XX	± 1°	.XX	± 0.25	核准 (APPROVE)		版本 (EDITION)	A0	品名 (NAME)	2.00双排母 SMT H=2.10		
.XXX	± 0.5°	.XXX	± 0.12			日期 (DATE)	06-11-16				

ZYSZ INDUSTRY CO., LTD