

# 1. 27mm (0.050") BOX HEADER, SMT

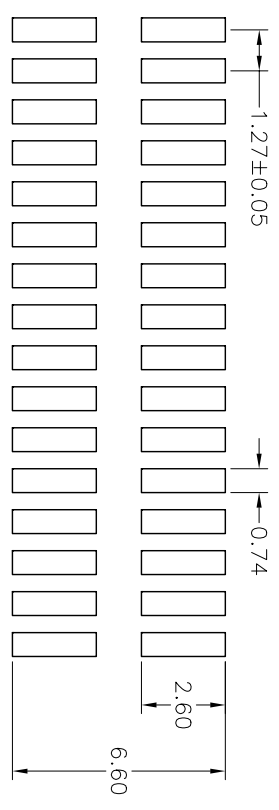
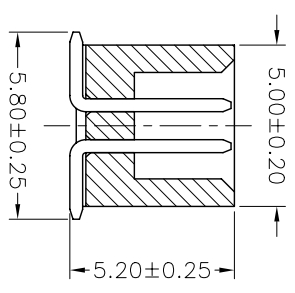
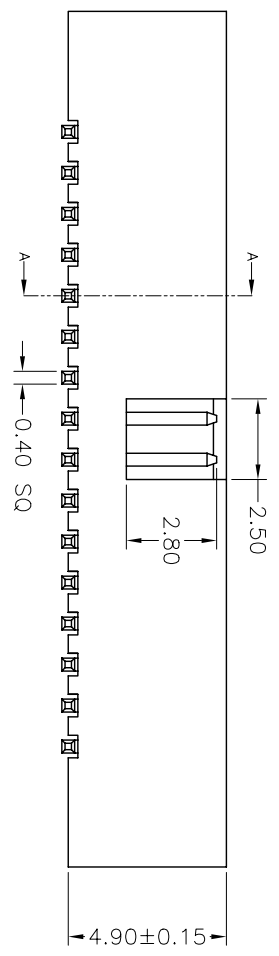
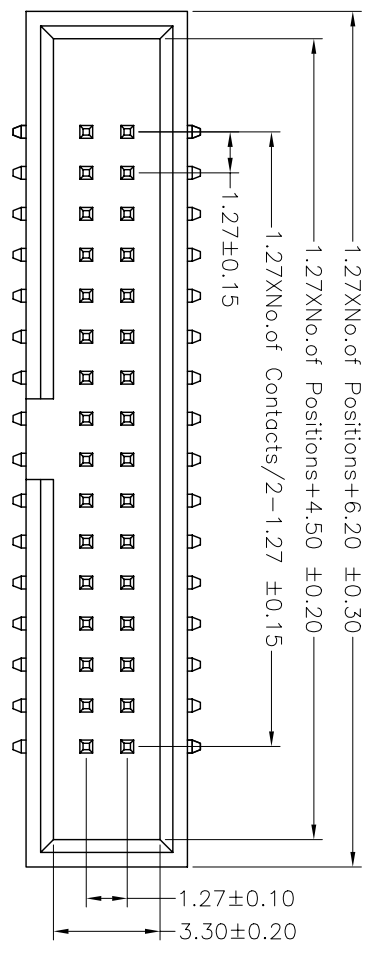
## SPECIFICATIONS

Current Rating: 1AMP  
 Withstand Voltage: 500V AC/minute  
 Contact Resistance: 30mΩ Max  
 Insulation Resistance: 1000MΩ Min  
 Operation Temperature: -40°C to +105°C  
 Contact Material: Brass  
 Contact plating: Au or Sn Over Ni  
 Insulator Material: Polyester (UL94V-0)  
 Standard: PA6T+30% G.F

## Ordering Information

3130 - XX M XX X KXX 01

No. of Pins: 04-100  
 Contact Plating: G0=Gold Flash, G1=3u"Gold, G2=5u"Gold, G3=10u"Gold, G4=15u"Gold, G5=30u"Gold, S0=Gold Flash/Tin, S1=3u"Gold/Tin, S2=5u"Gold/Tin, S3=10u"Gold/Tin, S4=15u"Gold/Tin, S5=30u"Gold/Tin, SN=Tin  
 Color Insulator: B=Black, U=Blue, W=White



Recommended PCB Board Layout

公差 (TOLERANCE)		绘图 (DRAWN)		审核 (APPROVE)		日期 (DATE)		品名 (NAME)	
X.	± 5°	X.	± 0.38	核	准	06-12-05	3130-XXMXXXXX01	1.27 筒牛 SMT H=4.90	
.X	± 2°	.X	± 0.25	校	对				
.XX	± 1°	.XX	± 0.12	核	准				
.XXX	± 0.5°	.XXX	± 0.12	校	对				

# ZYSZ INDUSTRY CO., LTD

REVISION DATA		
ITEM	DESCRIPTION	DATE
A0		06-12-05

料号 (PART NO)	3130-XXMXXXXX01
发行编号 (Issue No)	1/1