

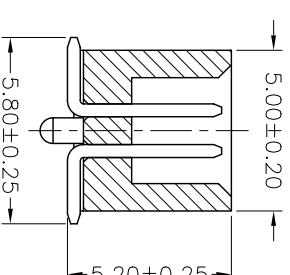
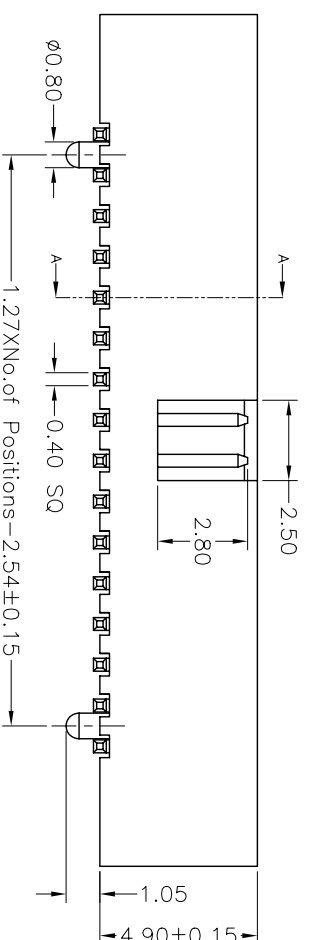
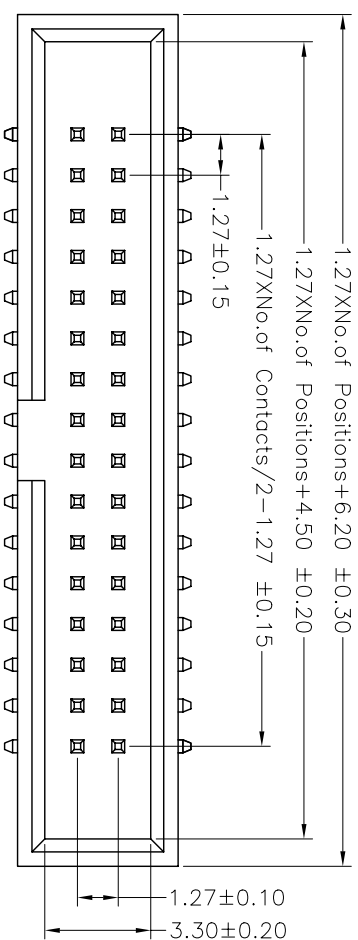
REVISION DATA			
ITEM	DESCRIPTION	DATE	REMARK
A0		06-12-05	

1.27mm (0.050") BOX HEADER, SMT

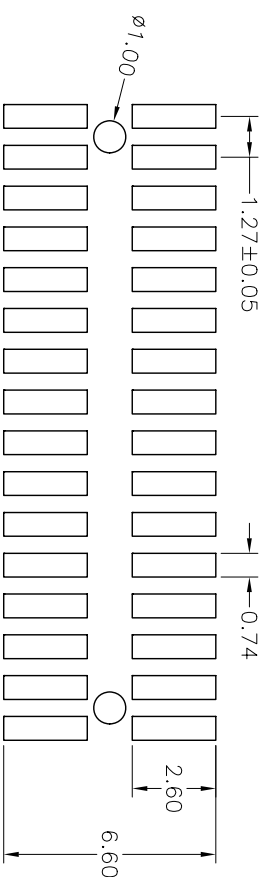
SPECIFICATIONS

Current Rating: 1AMP
 Withstand Voltage: 500V AC/minute
 Contact Resistance: 30mΩ Max
 Insulation Resistance: 1000MΩ Min
 Operation Temperature: -40°C to +105°C

Contact Material: Brass
 Contact plating: Au or Sn Over Ni
 Insulator Material: Polyester (UL94V-0)
 Standard: PA6T+30% G.F



SECTION A-A



Recommended PCB Board Layout

Ordering Information

3130 - XX M XX X KXX 02

No. of Pins: 04-100
 Contact Plating: G0=Gold Flash, G1=3µ"Gold, G2=5µ"Gold, G3=10µ"Gold, G4=15µ"Gold, G5=30µ"Gold, S0=Gold Flash/Tin, S1=3µ"Gold/Tin, S2=5µ"Gold/Tin, S3=10µ"Gold/Tin, S4=15µ"Gold/Tin, S5=30µ"Gold/Tin, SN=Tin
 Color Insulator: B=Black, U=Blue, W=White

公差 (TOLERANCE)

X.	± 5°	X.
.X	± 2°	.X ± 0.38
.XX	± 1°	.XX ± 0.25
.XXX	± 0.5°	.XXX ± 0.12

绘图 (DRAWN)

韦翔丹

投影 (PROJECT)



料号 (PART NO)

3130-XXMXXXXXX02

发行编号 (Issue No)

1/1

校对 (CHECKED)

单位 (UNIT)

MM

比例 (SCALE)

4:1

图号 (DRAW NO)

1/1

核准 (APPROVE)

版本 (EDITION)

A0

品名 (NAME)

1.27 筒牛 SMT 带内柱

H=4.90

ZYSZ INDUSTRY CO., LTD