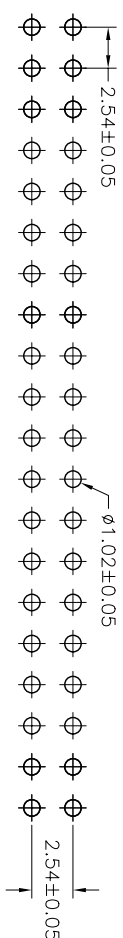
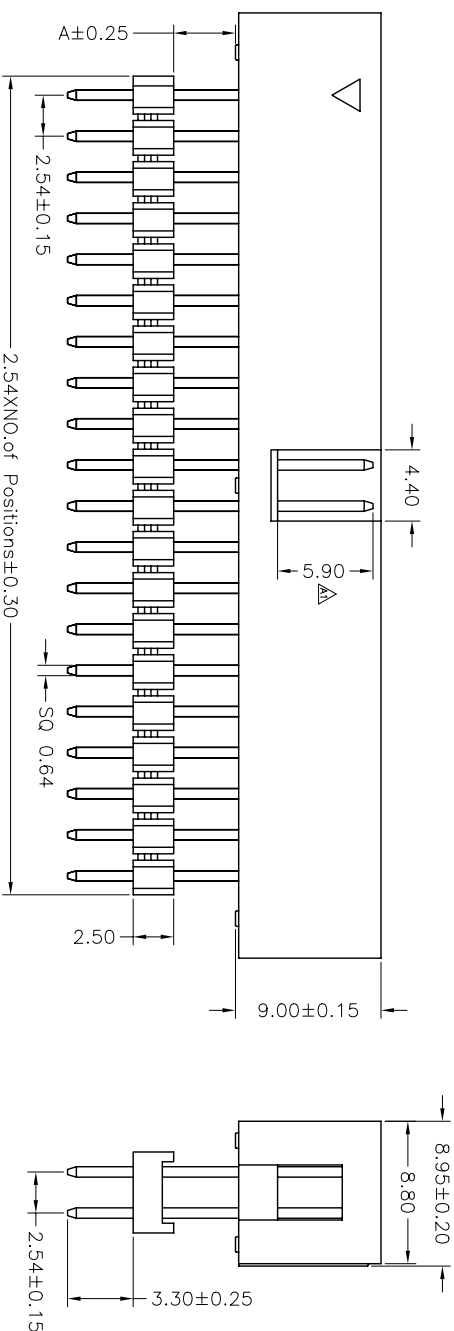
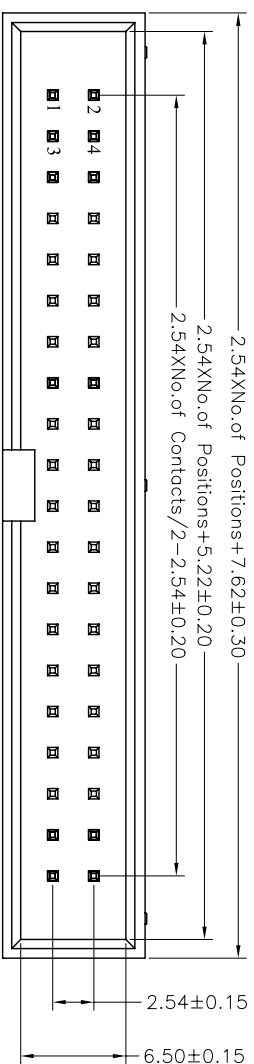


2.54mm (0.100") BOX HEADER, STRAIGHT

SPECIFICATIONS

Current Rating: 3AMP
 Withstand Voltage: 1000V AC/minute
 Contact Resistance: 20mΩ Max
 Insulation Resistance: 1000MΩ Min
 Operation Temperature: -40°C to +105°C

Contact Material: Brass
 Contact plating: Au or Sn Over 50u" Ni
 Insulator Material: Polyester (UL94V-0)
 Standard: PBT+30%G.F



Recommended PCB Board Hole Layout

DIM A	DIM A	DIM A
1.00	7.50	14.00
1.50	8.00	14.50
2.00	8.50	15.00
3.50	9.00	15.50
4.00	9.50	16.00
4.50	10.00	16.50
5.00	11.50	17.00
5.50	12.00	17.50
6.00	12.50	18.00
6.50	13.00	19.50
7.00	13.50	20.00

Ordering Information

3110 - XX S XX X KXX 02

No. of Pins
 06=6P
 08=8P
 10=10P
 12=12P
 14=14P
 16=16P
 18=18P
 20=20P
 26=26P
 30=30P
 34=34P
 40=40P
 50=50P
 60=60P
 64=64P

Contact Plating:
 G0=Gold Flash
 G1=3u"Gold
 G2=5u"Gold
 G3=10u"Gold
 G4=15u"Gold
 G5=30u"Gold
 S0=Gold Flash/Tin
 S1=3u"Gold/Tin
 S2=5u"Gold/Tin
 S3=10u"Gold/Tin
 S4=15u"Gold/Tin
 S5=30u"Gold/Tin
 SN=Tin

公差 (TOLERANCE)

X.	± 5°	X.	± 0.38
.X	± 2°	.X	± 0.25
.XX	± 1°	.XX	± 0.12
.XXX	± 0.5°	.XXX	± 0.12

绘图 (DRAWN)

乘 龙

投影 (PROJECT)

料 号 (PART NO)

图 号 (DRAW NO)

3110-XXSXXXXXX02

发行编号 (Issue No)

1/1

校对 (CHECKED)

核 准 (APPROVE)

单位 (UNIT)

比例 (SCALE)

版本 (EDITION)

日期 (DATE)

品 名 (NAME)

2.54 筒牛 180度 加H=2.50 塑胶

ZYSZ INDUSTRY CO., LTD

REVISION DATA

ITEM	DESCRIPTION	DATE	REMARK
A0		05-09-29	▲
A1	5.70 → 5.90 样号更正及变更图号	05-12-19	▲